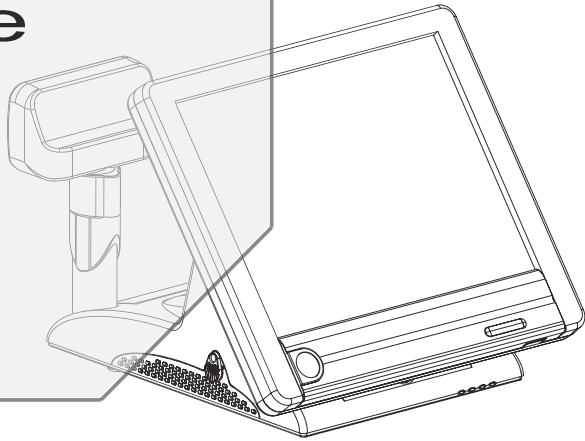


# TS8030

## Quick Reference Guide



Manual ver Q1

All Right Reserved Copyright 2005

## Packing Checklist

If you discover any item below was damaged or lost, please contact your vendor.

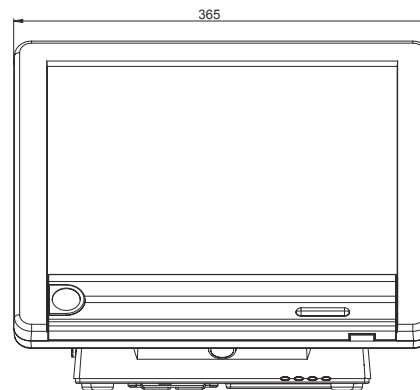
- |                                     |                                       |    |
|-------------------------------------|---------------------------------------|----|
| <input checked="" type="checkbox"/> | TS8030                                | X1 |
| <input checked="" type="checkbox"/> | This Quick Reference Guide            | X1 |
| <input type="checkbox"/>            | AC Power Cord (Optional)              | X1 |
| <input checked="" type="checkbox"/> | Driver CD                             | X1 |
| <input type="checkbox"/>            | Card Reader (Triple Track) (Optional) | X1 |
| <input type="checkbox"/>            | Solo Display (Tube=120mm) (Optional)  | X1 |
| <input type="checkbox"/>            | Solo Display (Tube=180mm) (Optional)  | X1 |

## Specifications

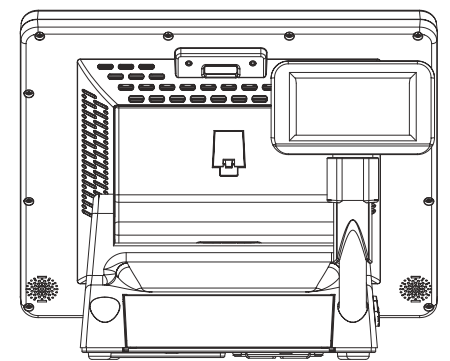
CPU	VIA Eden mBGA 1GHz (optional 733MHz)
Chipset	VIA CLE266+VT8235
Memory	1 x 184-pin DDR DIMM up to 1GB
Cache	Built-in CPU
BIOS	Phoenix-Award PnP, Flash ROM
I/O Chipset	Winbond (W 83697 uF)
IDE Interface	1 x EIDE(UDMA-33/66/100/133)
Serial Port	4 x serial, COM1/2: D-sub 9-pin connector, COM3/4: RJ45 connector, all with 5V/12V power
Parallel Port	1 x parallel (SPP/EPP/ECP)
CMOS	Built-in VT8235 with battery backup
Keyboard	PS/2 (Mini DIN connector)
Mouse	PS/2 (Mini DIN connector)
VGA	Built-in CLE266 support LVDS (TFT panel)
LAN	VT6103PHY, 10/100 Mbps Ethernet
Sound	AC '97 Codec, with Line-Out, audio jack
USB	2 x USB2.0
LCD Display	15" TFT LCD panel
Touch Screen	Analog resistive
Drive Bay	1 x 3.5" HDD
MSR Card Reader	Optional
Solo Display	Optional
Power Supply	External DC-in +24V adaptor
System Weight	9.5Kg (20.9lb)
Operation System	Support Windows 98/2000/XP
Dimension	365 x 378 x 306 mm (14.3" x 14.9" x 12")

## System View

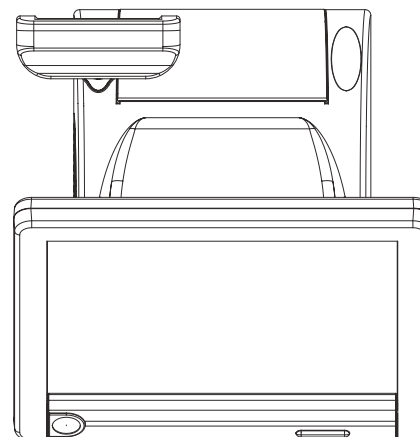
### Front View



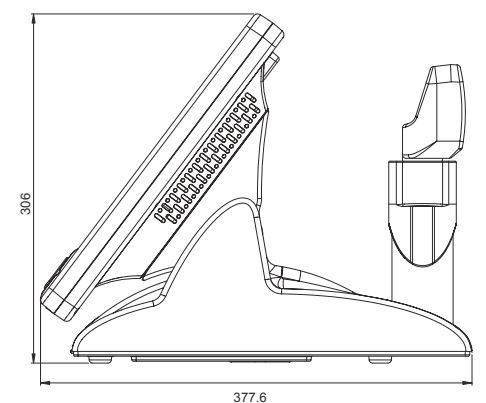
### Rear View



### Top View



### Side View

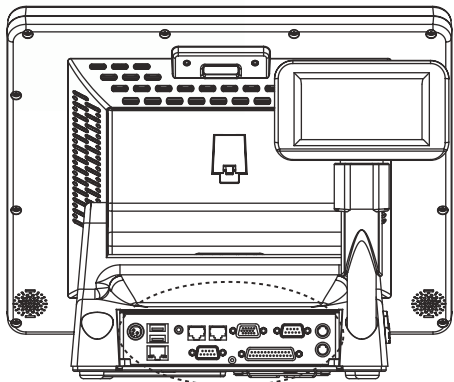


Unit: mm

# TS8030

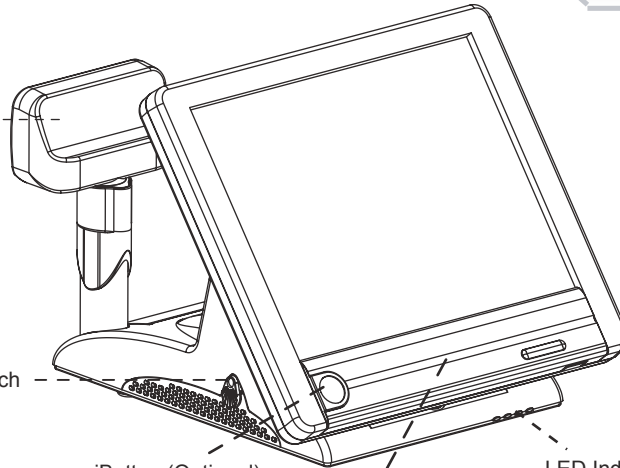
## Low Power and Economical 15" POS Terminal

### System View



Solo Display

Power Switch

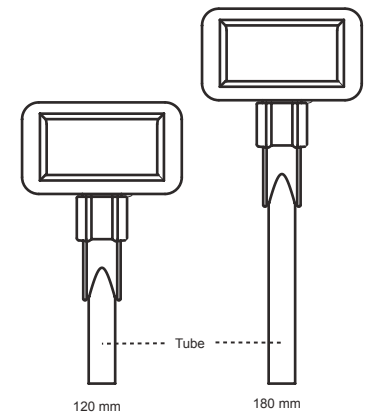


iButton (Optional)

MSR Card Reader (Optional)

LED Indicators  
(Power LED/ HDD LED/ LAN Access/ LAN-ON)

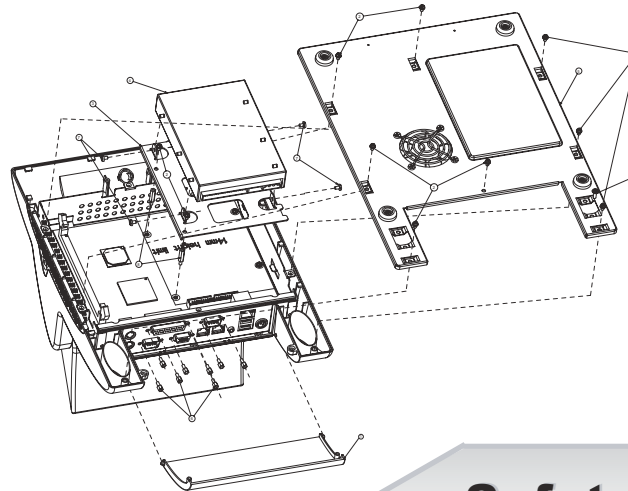
### Accessories Installation



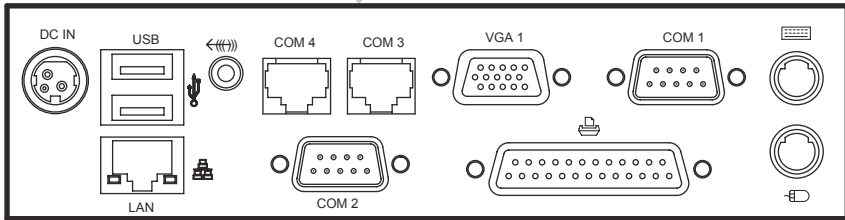
Optional Aluminum Tube Heights for Solo Display

**Warning:** when the TS8030 shipment bundled with LCD Customer display "PS8710", the COM4 default will be set to "12V". (Please note the 12V voltage may damage the COM port device without voltage required.)  
\*\*\*Please refer to User's Manual in driver CD for Jumper Setting details.

### Hard Disk Drive Installation



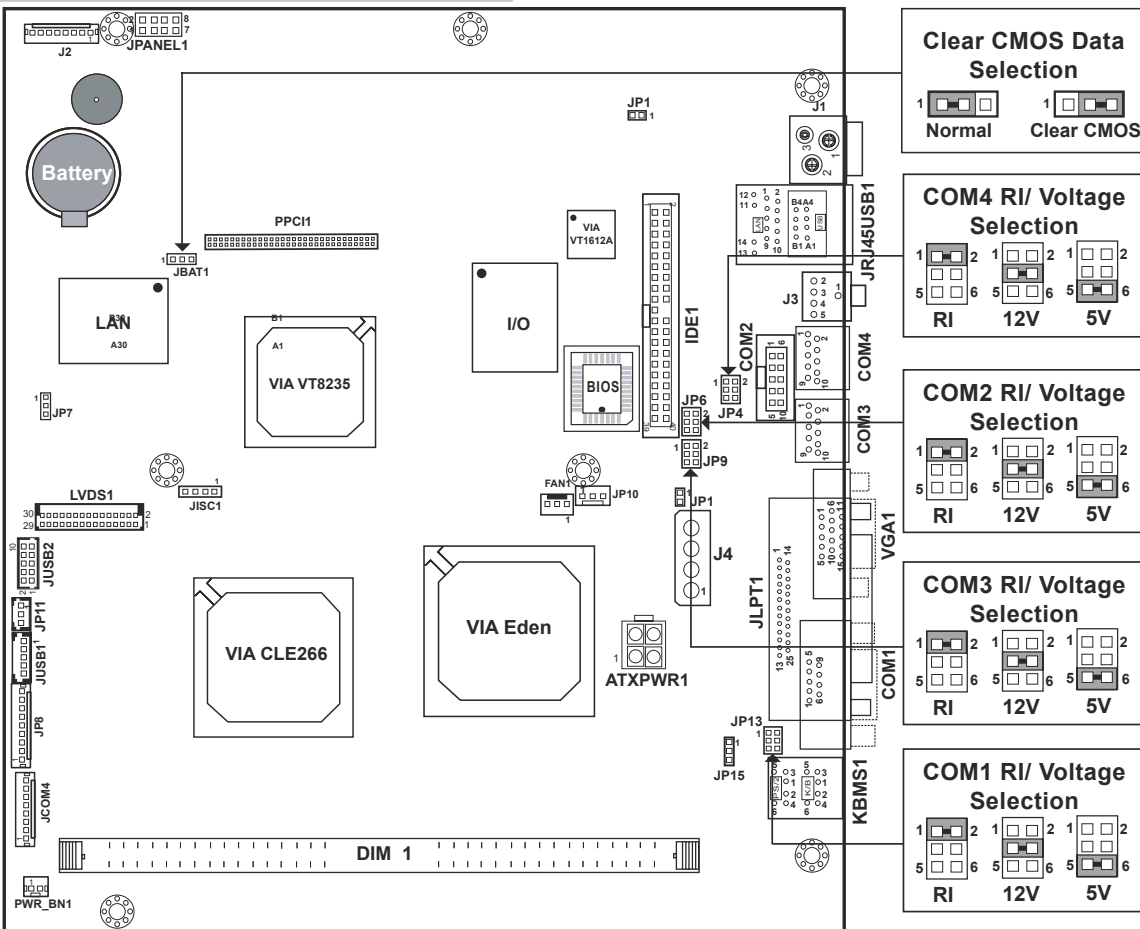
No.	Part Name	Part No.	Qty.
8	HDD SUPPORT STUD	OSTUD-CU-3-0.5-L6-H16	2
7	3.5" HDD FASTENER	Z2-622-60005011	4
6	D-SUB STUD	OSTUD-UNF-N04-4-8-7	8
5	BOTTOM COVER ASM.		1
4	3.5" HDD		1
3	HDD BRACKET	20-006-04005012	1
2	Screw	Z2-232-30060211	10
1	CABLE COVER	ECS-8850-CABLE-CAP-8	1



PS-8850 Accessory Table

No.	Item	Description	P/N	Q'ty
1	Solo Display	(Aluminum) Elliptic Tube= 120mm (Black)	PS8850-Solo-120-B-P	1 choice only
2	Solo Display	(Aluminum) Elliptic Tube= 180mm (Black)	PS8850-Solo-180-B-P	1 choice only

### Jumper Setting



**Clear CMOS Data Selection**

1  Normal    1  Clear CMOS

**COM4 RI/ Voltage Selection**

1  RI    2  12V    2  5V

**COM2 RI/ Voltage Selection**

1  RI    2  12V    2  5V

**COM3 RI/ Voltage Selection**

1  RI    2  12V    2  5V

**COM1 RI/ Voltage Selection**

1  RI    2  12V    2  5V

**COM3 Connector :**

1	COM3_DCD	2	COM3_RXD
3	COM3_TXD	4	COM3_DTR
5	GND	6	COM3_DSR
7	COM3_RTS	8	COM3_CTS
9	COM3_RI/+5V/+12V selectable		
10	NC		

**COM4 Connector :**

1	COM4_DCD	2	COM4_RXD
3	COM4_TXD	4	COM4_DTR
5	GND	6	COM4_DSR
7	COM4_RTS	8	COM4_CTS
9	COM4_RI/+5V/+12V selectable		
10	NC		

### Safety Precaution

The following messages are reminders for safety on how to protect your systems from damages and to extend a long life of the system.

**1. Check the Cable Voltage**

- Make sure the range of operating voltage that is between AC 100V and AC 240V. Otherwise, the system could be damaged.

**2. Environmental Conditions**

- Place your TS8030 on a sturdy, level surface. Be sure to allow enough space to have easy access around the system.
- Avoid extremely hot or cold place to install the system.
- Avoid exposure to sunlight for a long period of time or in a airtight space.
- Also, avoid the system from any heating device or use TS8030 when it's been left outdoors in a cold winter day.
- Bear in mind that the operating ambient temperature is from 0°C up to +40°C (32°F~ 113°F).
- Avoid moving the system rapidly from a hot place to a cold place and vice versa. Because condensation may come from inside of the system.
- Place TS8030 in strong vibration(s) may cause hard disk failure. Do not place the system too close to any radio active device. Radio-active device may cause signal interference.

**3. Handling**

- Avoid putting heavy objects on top of the system.
- Do not turn the system upside down. This may cause the hard drive to malfunction.
- Do not allow foreign objects to fall into this product.
- If water or other liquid spills into this product, unplug the power cord immediately.

**4. Good Care**

- When the outside of the case is stained, remove the stain with neutral washing agent with a dry cloth.
- Never use strong agents such as benzene and thinner to clean the system.
- If heavy stains are present, moisten a cloth with diluted neutral washing agent or with alcohol and then wipe thoroughly with a dry cloth.
- If dust has been accumulated on the outside, remove it by using a special made vacuum cleaner for computers.